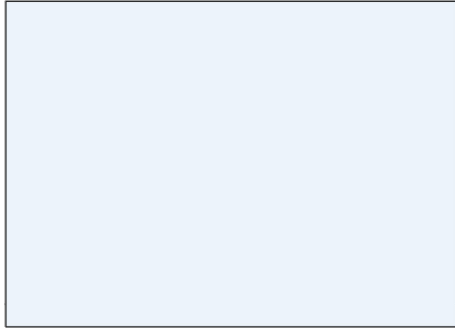


2

1

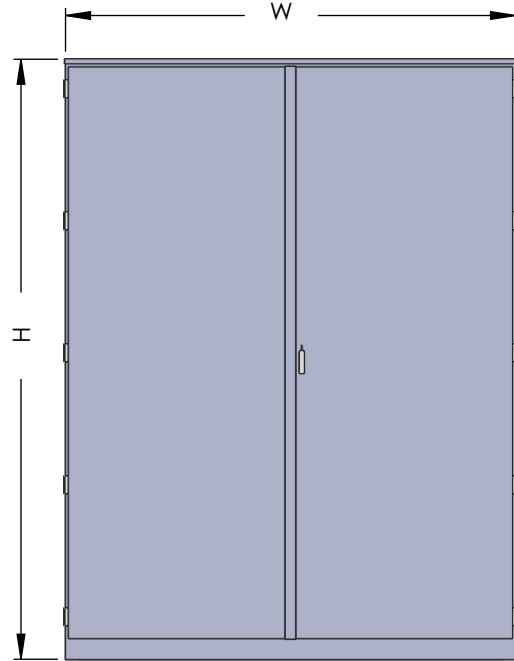
TOP VIEW



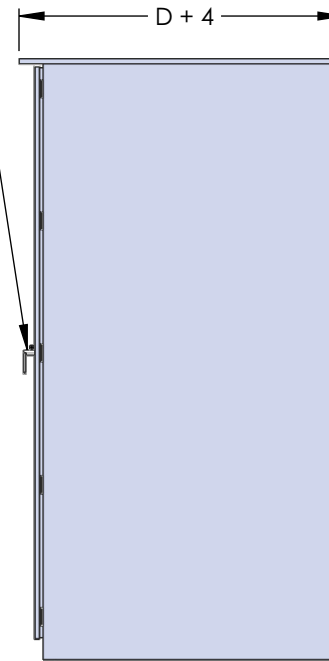
NOTES:

- 1. NEMA 3R CONSTRUCTION
- 2. FINISH: POWDER COAT GRAY ENAMEL

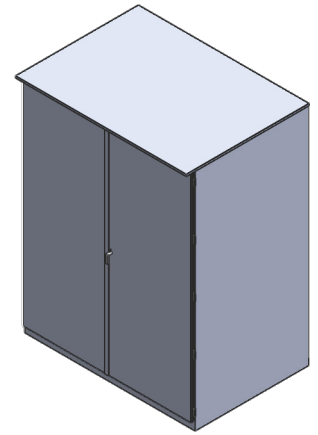
PADLOCKABLE FRENCH DOOR WITH 3PT CATCH



FRONT VIEW

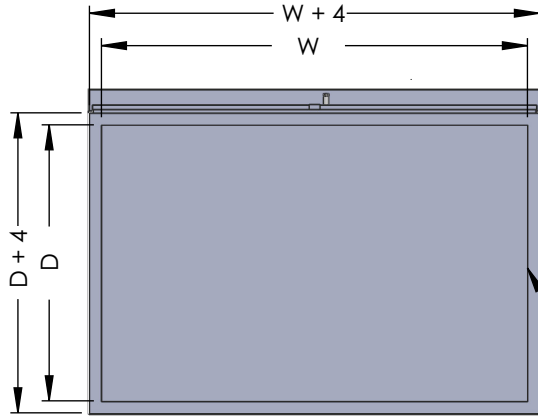


SIDE VIEW



B

B



BOTTOM VIEW

OPEN BOTTOM WITH PADMOUNT WITH 2" FLANGE ALL AROUND

A

A

E160783



Boxes, Junction & Pull
NAV-TECH INC.
HAUPPAUGE, NEW YORK

NAME	DATE
DRAWN BY N. BOSETTI	3/21/2025
REVIEWED BY	



155 MARCUS BLVD HAUPPAUGE, NEW YORK 11788 PH: (718) 257-2111 FAX: (718) 257-2626

MAT'L:	12 GAUGE GALV STEEL
FINISH:	GRAY POWDER COAT ANSI 61
WEIGHT:	

ALL DIMENSIONS ARE NOMINAL UNLESS EXPLICITLY STATED OTHERWISE

DRAWING TITLE:	NEMA 3R ENCLOSURE FOR SWB-T2/T3
PART #:	ODHCBX1007550-FDPM

DO NOT SCALE DRAWING

DESCRIPTION:	NEMA 3R OUTDOOR CABINET 100" X 75" X 50" WITH FRENCH DOORS AND OPEN BOTTOM PADMOUNT
--------------	---

SCALE:	1:50	SIZE	A	SHEET	1 OF 1	REV.	0
--------	------	------	---	-------	--------	------	---

2

1